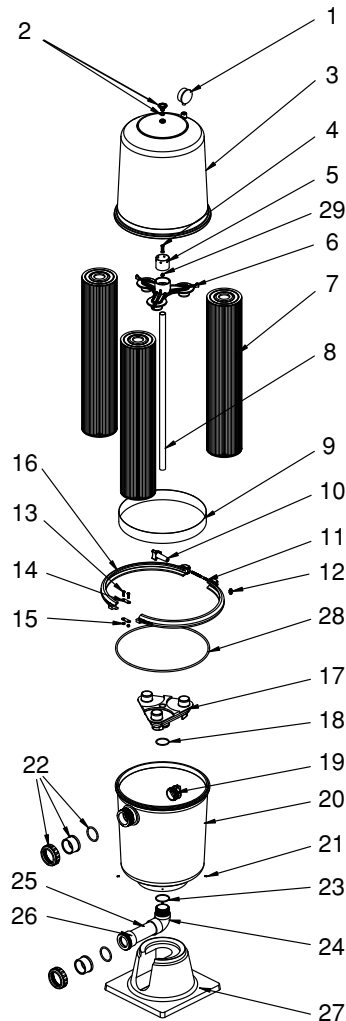


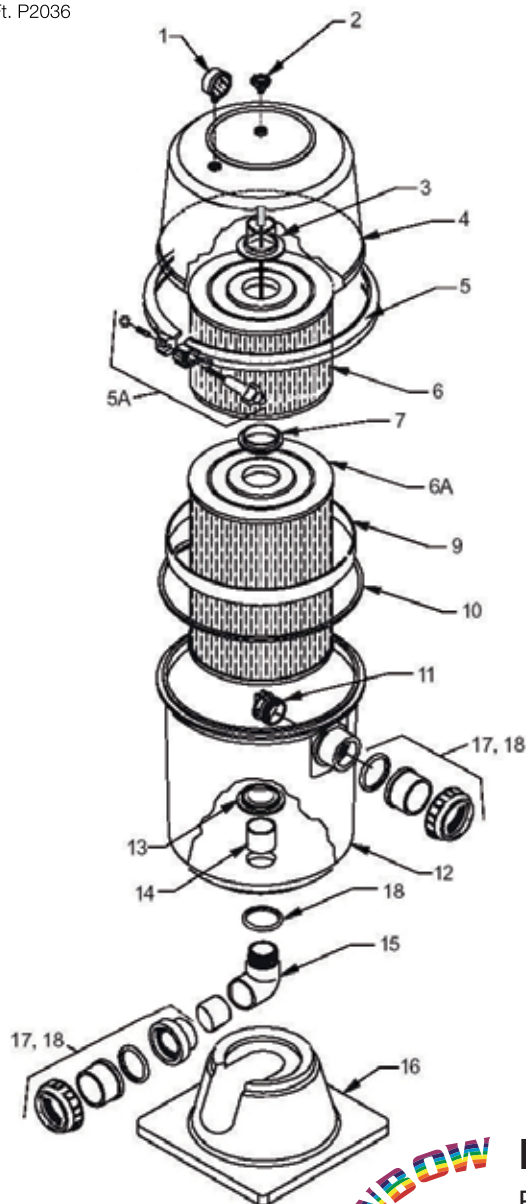
FULFO TRI CARTRIDGE FILTER

Part Number	Product Description	Diagram Number
621632	Liquid Filled Pressure Gauge Bottom Mount 400kPa	1
620221	Air Release Valve	2
622331	Tank Body - Top Pewter	3
62289	Air Relief Tube Screen	4
	2" PVC Pipe (60mm length)	5
6220701	Tri Cartridge Manifold Adaptor (top)	6
622810	Cartridge Element - TC 300 (3 required)	7
622820	Cartridge Element - TC 400 (3 required)	7
622830	Cartridge Element - TC 500 (3 required)	7
	1" PVC Pipe (803mm length) – to be glued	8
621057	S/S Inner Band	9
622195	Knob	10
62220	M8x100 S/S Stud	11
622202	Brass Lug	12
827000	Screw 1/4x1" Hex (2 required)	13
822528	Connecting Link (2 required)	14
829227	Nut 1/4" Nylock (2 required)	15
8225261	Clamp Band (2 required)	16
6220700	Manifold - Tri Cartridge (bottom)	17
6220702	O ring - 55x3.3mm	18
62268	Inlet Baffle – 50mm	19
8223431	Tank Bottom Pewter colour	20
622641	Screw (6 required)	21
634024B	Half Union with O ring - 50mm (2 required)	22
622690	O ring – 55x4mm	23
8223451	Fulflo Bottom Elbow 50mm	24
	2" PVC Pipe (304mm length)	25
1222510	Barrel Union Threaded End - 50mm	26
62228	P/P Support Base	27
62250	Tank Body O ring	28
85251	Gulfstream Plug	29



FULFLO CARTRIDGE FILTER

Part Number	Product Description	Diagram Number
621632	Liquid Filled Pressure Gauge Bottom Mount 400kPa	1
620221	Air Release Valve	2
822350	Top Adaptor ABS - Please use 8223501	3
8223501	Top Adaptor PP	3
62231	Tank Top (C200) Grey colour	4
62232	Tank Top (C300) Grey colour	4
62233	Tank Top (C400) Grey colour	4
622311	Tank Top (C200) Pewter colour	4
622321	Tank Top (C300) Pewter colour	4
622331	Tank Top (C400) Pewter colour	4
822343	Tank Bottom Grey colour	
8223431	Tank Bottom Pewter colour	12
62202	Clamp Ring Assembly c/w Bolt/Lug/Knob	5A
62203	Clamp Knob Bolt Lug	5
822352	Cartridge Joiner	7
62236	Inner Band	9
62250	O ring Tank body	10
62268	Inlet Baffle	11
822351	Bottom Adaptor	13
822345	Bottom Elbow 50mm	15
62228	Base/Tank Support	16
122250	Barrel Union 50mm	17
6340241	O ring BS332	18
62281	Cartridge 100Sq. Ft. P2520	
62283	Cartridge 200Sq. Ft. P2036	



Rainbow Pool Products

PO Box 2388, Mansfield Qld 4122

Telephone STD 61-7-3849 5385

Facsimile STD 61-7-3849 5384

Email: info@rainbowpoolproducts.com.au

Web: www.rainbowpoolproducts.com.au