



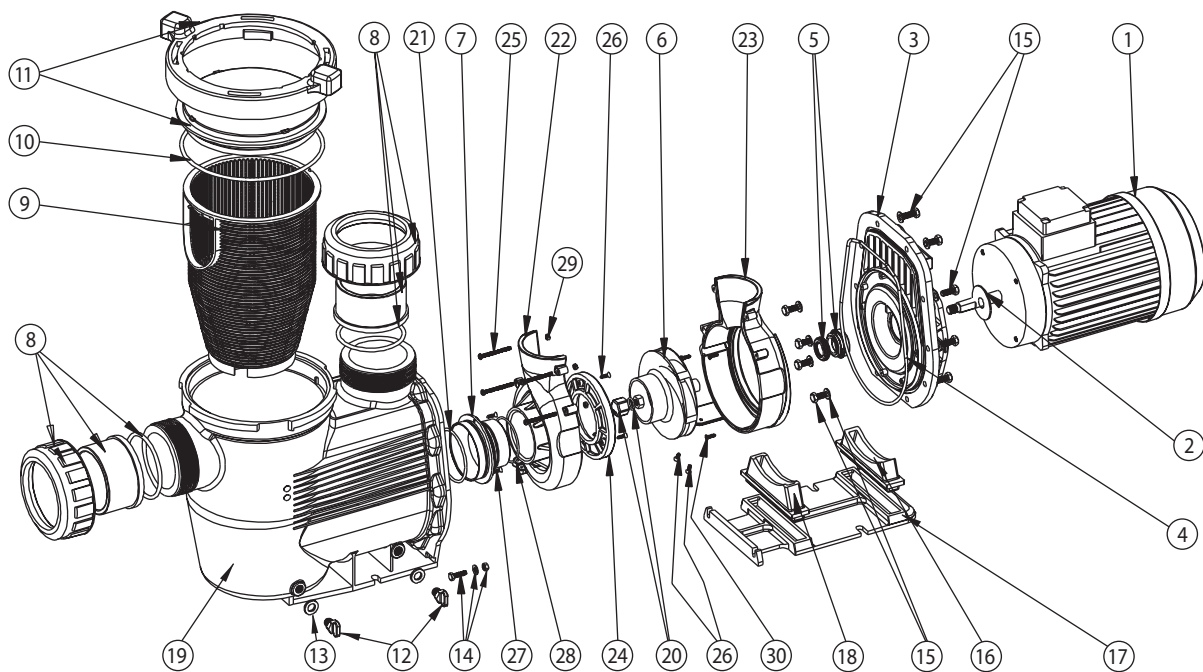
Quality Pool & Spa Products

HYDROSTAR COMMERCIAL MK3

(Post 08/2006)

(Product Code: 240440033, 240450033, 240460033, 240470033)

SPARE PARTS DIAGRAM



Key	Description	Product Code
1	Motor 4kW 3 Phase (400, 500)	634040205
1	Motor 5.5kW 3 ph (600, 700)	634040215
2	Hydrostar Bracket Mk2	6340682
3	Bracket O ring Mk2	6340700
4	Mechanical Seal 316SS	6340162
5	Impeller (Hydrostar 400 MK2) To Suit Keyshaft	6340550
5	Impeller (Hydrostar 500 MK2) To Suit Keyshaft	6340560
5	Impeller (Hydrostar 600 MK2) To Suit Keyshaft	6340570
5	Impeller (Hydrostar 700 MK2) To Suit Keyshaft	6340580
7	80mm Half Union (Black) C/W O ring	6340803
7	O ring 80mm Half Union	6302550
10 & 11	Lid & Lock Ring	6340651
14	14 x 63401830 (Screw Hex Set M8x20 SS316)	63401830
14	14 x 6302180 (Washer SS316 5/16X5/8X18G)	6302180
18	Hydrostar Pump Body Assembly 3" MK3 Consisting Of :-	63405110
19	1 x Hydrostar Body 3" Port Mk2	6340514
6	1 x Hydrostar Volute Nozzle	6340543
21	1 x O ring BS151	6340116
31	1 x O ring BS145	6340115
30	Screw #4x3/8" P/Head SS304 (2 required)	63400833
12	Drain Plug 1/4" BSP .(2 required)	63402302
13	O ring BS112 (2 required)	620193
8	1 x Hydrostar Commercial Strainer Basket	6340630
9	1 x O ring G200	634075
19	Nut M10 Overmoulded	6340411
19	O ring BS113	6340412
25	Volute Front	6340540
26	Volute Rear	6340541
27	Volute Insert (400, 500)	6340542
28	Screw M4X40mm P/Head SS304 (4 required)	6340825
29	Screw 8GX5/8" Countersunk SS304 (5 required)	6340828
32	Nut M4 Nyloc Hex SS304 (4 required)	6340826
33	Screw 8GX13mm Countersunk SS304 (3 required)	6340827
n/s	Motor Rotation Indicator	634059
	M6 Multi-Pack SS316 (Pack of 2)	634004211
	2 x 6340040 (Screw M6X20 HEX SET SS316)	
	2 x 6340030 (Washer SS316 1/4X9/16X18G)	
	2 x 6340060 (Nut M6 Hex SS316)	