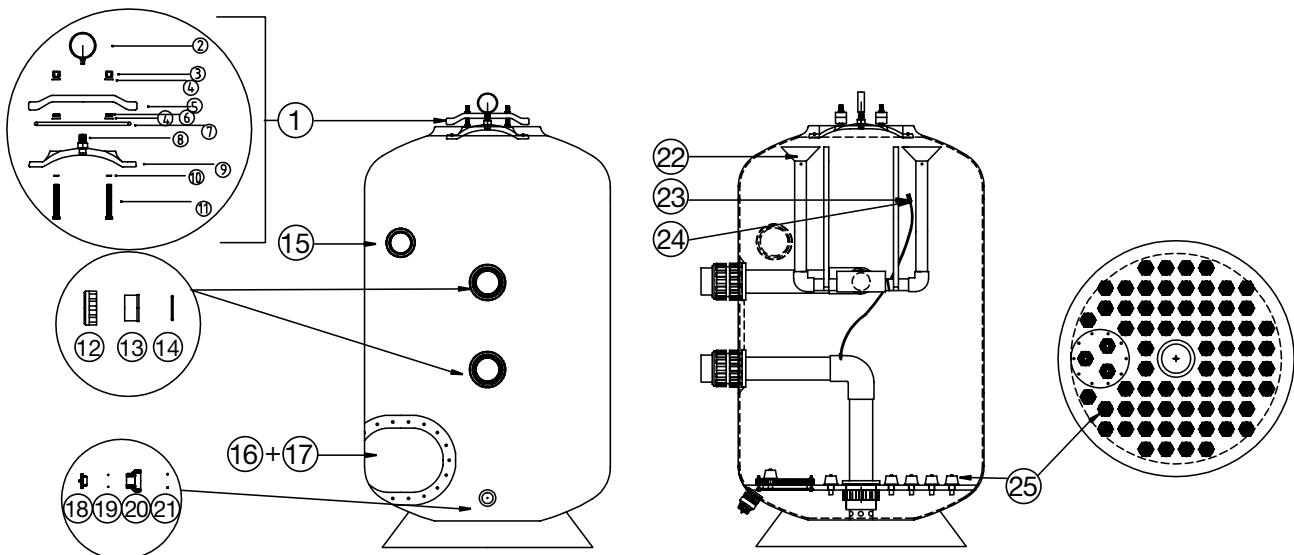


SPDD SIDE MOUNT DEEP BED COMMERCIAL FILTERS

Part Number	Product Description	Diagram Number
6209440	Man Hole Cover 4 Stud Complete	1
621621	Pressure Gauge Dry 600KPA/90PSI Bottom Mount	2
6340939	Hex Nut M16 (4 required)	3
6340937	Washer M16 S/S304 (8 required)	4
6209430	Lid Yoke Lacron (2 required)	5
W12324	Hex Thin Nut (4 required)	6
6209443	O ring Manhole Cover Oval 4 Stud - Waterco	7
W12724	S/S Screw 1" BSW Male 1/4" BSP Female Thread	8
6209442	Manhole Cover Only Oval 4 Stud - Waterco	9
6340412	O ring BS113 (4 required)	10
W12125	Hex Bolt N16X120MM (4 required)	11
6340803	Half Union 80mm Black (2 required)	12/13
6340801	Half Union 100mm Black (2 required)	12/13
6302550	O ring B/U 80mm	14
6302553	O ring B/U 100mm	14
62380	Sight Glass 3" Complete (Post 2008)	15
6209470	Side Manhole Cover 18 Hole Oval	16
6209491	Side Hatch Round 200mm	16
6209471	Gasket for Side Manhole Oval 18 Hole	17
6209492	O ring G210 for Side Hatch Round 200mm	17
64479	O ring 40mm B/U EPDM	21
620940	Funnel For Port Size 3" & 4" (80mm & 100mm) (4 required)	22
621013	Funnel for Port Size 6" (150mm) (4 required)	22
620223	Air Relief Tube Screen	23
6209303	Drain Plug 40mm (Sand Drain Assy)	
620226	2" Kinetic Air Release Valve	
86172	Gulfstream Plug (2 required)	24
6209405	Filter Nozzle	25
Numbers of nozzles required for model:-		
SPDD1050 - 67 required		
SPDD1200 - 71 required		
SPDD1400 - 101 required		
SPDD1600 - 139 required		
SPDD1800 - 187 required		
SPDD2000 - 239 required		
SPDD2350 - 317 required		



Rainbow Pool Products

PO Box 2388, Mansfield Qld 4122

Telephone STD 61-7-3849 5385

Facsimile STD 61-7-3849 5384

Email: info@rainbowpoolproducts.com.au

Web: www.rainbowpoolproducts.com.au