



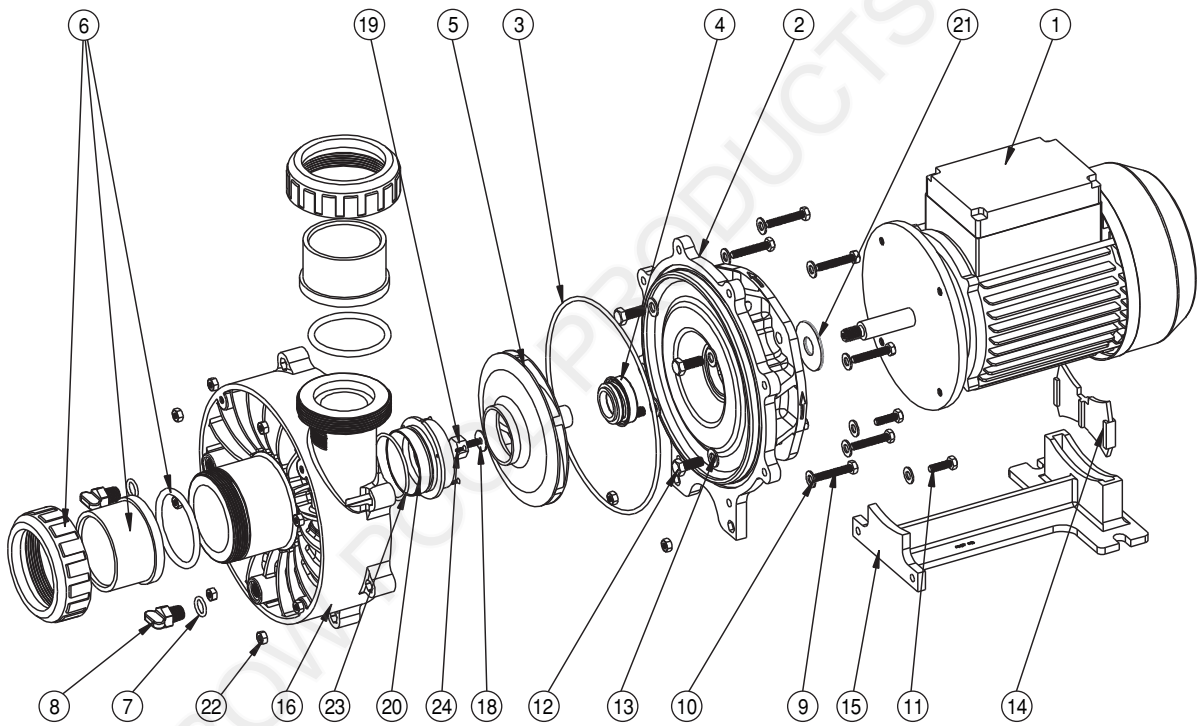
POOL PRODUCTS



Quality Pool & Spa Products

TURBOFLO

SPARE PARTS DIAGRAM



Key	Description	Product Code
1	Motor 1.13kW - 1 Phase (100, 125)	6340274E
1	Motor 1.68kW -1 Phase (150, 200)	6340275E
1	Motor 1.13kW & Insert (100-125)(6340274L motor+63402122insert)	63402740
1	Motor 1.68kW & Insert (200)(6340275Lmotor+63402122 insert)	634027502
1	Motor 1.92kW - 3 Phase (150, 200, 250)	6340293E
1	Motor 2.60kW/3 Phase (300)	6340303E
1	Motor 3.2kW/3 Phase (400)	63404031E
2	Bracket	635101
3	Bracket O ring	634017
4	Mechanical Seal - SS Ring	634016201
5	Impeller - 1.0hp	634012
5	Impeller - 1.5hp	6340143
5	Impeller - 2.0hp	6340145
5	Impeller - 2.5hp	6340157
5	Impeller - 3.0hp	63401534
5	Impeller - 4.0hp	634055
6	Half Union 50mm With O ring (x2)	634024B
7	Drain Plug O ring - BS112 (x2)	620193
8	Drain Plug (x2)	63402301
9	Hex Set Screw - M6x35 SS316 (x8)	63400411
10	Washer - 1/4x9 SS316 (x10)	6340030
11	Hex Set Screw - M6x20 SS316 (x2)	6340040
12	Hex Set Screw - M8x20 SS316 (x4)	63401830
13	Washer - 5/16x5 SS316 (x4)	6302180
14	Foot Insert	634021
14	Foot Insert (alternate)*	63402122
15	Pump Foot	634106
16	Pump Body	634100
17	Mechanical Seal - Ceramic Ring	634016202
18	Fibre Washer (not suitable for 1.0hp to 1.5hp)	644772
18	O ring (for 4.0hp)	6340412
19	Screw L/H Cap (not suitable for 1.0hp to 1.5hp)	634041
19	Nut M10 Overmoulded 4.0hp	6340411
20	Suction Nozzle - 1.0hp to 2.5hp	634104
21	Motor Slinger - 1.0hp to 2.5hp	631781
21	Motor Slinger - 3.0hp, 4.0hp	631782
22	Nut M6 (x10)	6340060
23	Suction Nozzle O ring - BS138 (1.0hp to 2.5hp)	72591133
24	PT Screw 3Gx6.5, Countersunk SS316 (x3)	63612642

*Note: If the alternate motor is used- the alternate Foot insert must be used accordingly